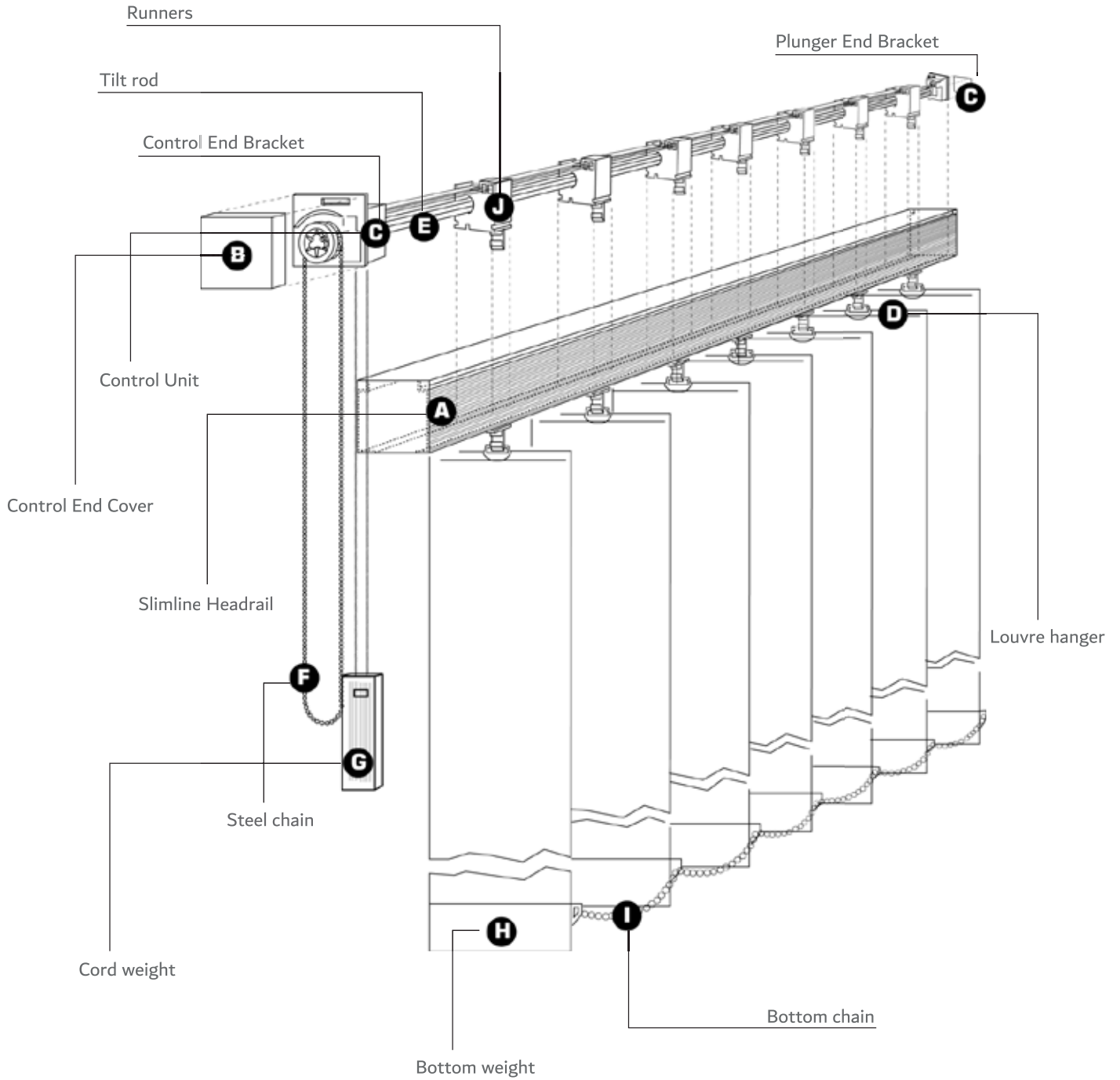


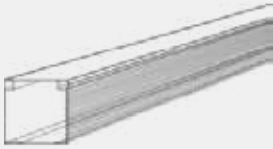


# SLIMLINE TECHNICAL DRAWING



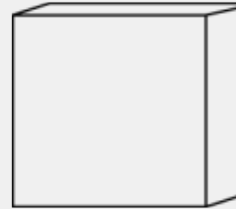
# STANDARD SLIMLINE HAIDRAIL SYSTEM

## Slimline Headrail



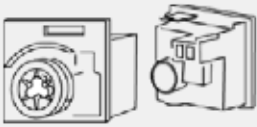
Control End Cover – covers the operating wheel and chain

## Control End Cover



Control End Cover – covers the operating wheel and chain

## Control Unit and idle End



Control Unit and idle End, secures the tilt rod and by way of operating wheel and chain rotates the worm gear in each runner. Made of engineering plastic with good bearing.

## Louvre Hanger



Louvre hanger – moulded plastic suitable for J or H hooks.

## Tilt Rod



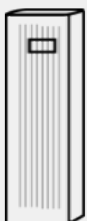
Aluminium mill finish tilt rod 6mm 3 prong type.

## Metal Chain



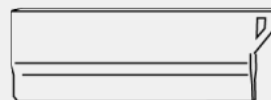
3mm Nickel plated steel chain with connector.

## Cord Weight



Aluminium mill finish tilt rod 6mm 3 prong type.

## Bottom Weight



Moulded bottom weight in barium filled polypropylene aprox weight for 89 mm 30grammes.

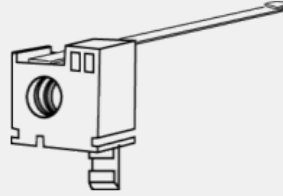
# STANDARD SLIMLINE HAIDRAIL SYSTEM

## Bottom Chain



Bottom chain – can be moulded plastic on polyester cord or nickel plated steel chain with moulded clips to secure to bottom weights.

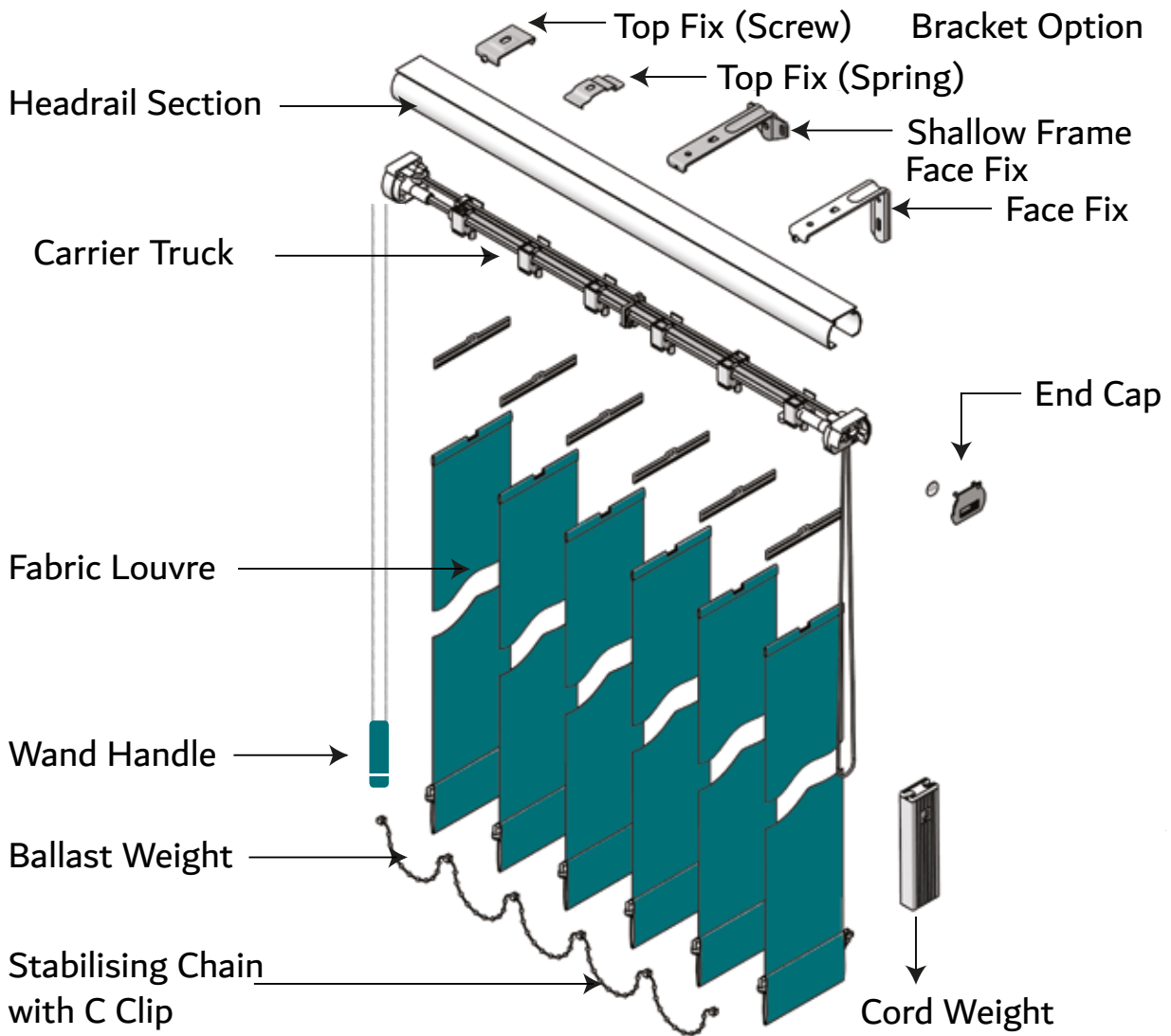
## Runner Spacer



First runner spacer which clips over tilt rod and gives the spacing for the first runner

# VOUGE SYSTEM TECHNICAL DRAWING

## With Cord & Chain Operation



## GENERAL APPLICATIONS

Vertical blinds incorporating the Vogue headrail system provide a contemporary and extremely practical commercial installation and are available from approved manufacturers worldwide. It is a robust and reliable system that has been specified for over 25 years.

The system is easily fitted and provides an extremely efficient method of light control. A large range of attractive flame retardant fabrics, and some featuring anti-glare SPC® and blackout coatings make these blinds the ideal choice for projects large or small. The fabrics are designed specifically for window blinds.

## CARRIER TRUCKS

To ensure a positive and smooth operation within the headrail, all carriers are manufactured using prime quality plastic materials. This also provides durability and protection from embrittlement and UV rays. The gears in the carrier trucks that rotate the louvres are self-aligning with limit stops. This allows louvre rotation to 185°, which ensures an efficient closure without strain on the mechanism. The spacing between the carrier trucks is controlled by high-grade stainless steel spacer links. The standard spacing is either 77mm for 89mm louvers or 115mm for 127mm louvres, although alternative spacing options are available. UV stabilised louvre hangers are manufactured using Nylon No. 6 plastic.

## OPERATION

Operation is by either No 6 size chain or a tilt and draw wand control. Vogue tracks are smooth running and robust. The components are made in aluminium, prime plastic or stainless steel. The design of the components minimises damage caused by operator misuse.

## MAINTENANCE

All of the Vogue components are manufactured using aluminium, plastic or stainless steel. They do not present any corrosion problems in normal environments. The system has been designed for a smooth operation, together with a rigidity to prolong the window blind's working life. However any damage which does occur, can normally be rectified on site.

## LOUVRES

Available in 89mm width. All louvres are weighted and have the option to be interlinked front and back with ball and 'C' clip connectors either in white or black, alternatively sewn in weights are available.

## VOUGE HEADRAIL

The Vogue aluminium headrail extrusion is made from prime aluminium and is available in white and brown powder coated, silver anodised or polished black and champagne, which makes it corrosion resistant. Brackets are zinc plated or powder coated and manufactured with a strengthening crease for increased strength and safety.

White (White Trucks)



Piano Black (Black Trucks)



Brown (Black Trucks)



Brushed Steel (Black Trucks)



Graphite (Black Trucks)



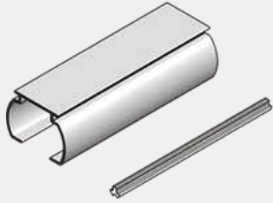
Champagne Gold (Black Trucks)



Note : Black components are default on all headrail colours except for white in that instance white components are default.

# VOGUE COMPONENTS

## Headrail Section

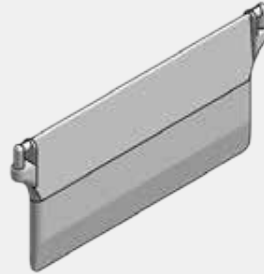


### Slimline Vogue® Headrail

100% aluminium Dimensions: 38.5mm (1 1/2") x 28mm (1 1/8") Lengths: 5m (5.5 yard) maximum Colour: white, brown, silver, gold or black

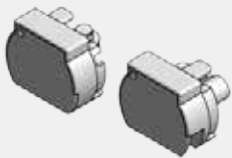
**Tilt Rod**  
Aluminium

## Louvre Ballast Weights



**Ballast Weights, Moulded,**  
Compact 89mm,  
Colour: white & black

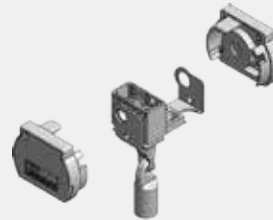
## End Cap



### Slimline Vogue® End Caps

Dimensions: 38.5mm (1 9/16") x 27.34mm (1 1/8")  
Colour: white, brown or black

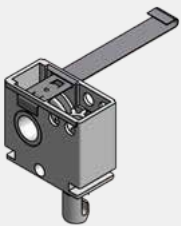
## Slimline Vogue Monocommand



**Alternative wand control - Child Safety Product**

Colour: white, brown or black

## Carrier Trucks



**Spade Hook**, self-aligning, 89mm For use with stainless steel spacer links

**Spade Hook**, fixed gear, 89mm For use with stainless steel spacer links

Truck Body: nylon, link: stainless steel  
Dimensions: 24mm x 32mm x 12mm Colour: white, brown or black

## Slimline Vogue Monocommand Wand



Available in lengths: 800mm, 1200mm or 2000mm

Colour: white or black

## Rotation Chain



Available in nickel plated steel.

## Cord Weight

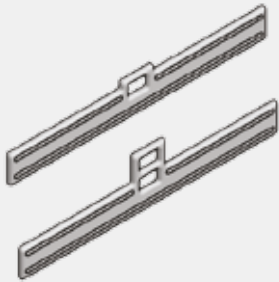


Colour: white



## VOGUE COMPONENTS

### Louvre Inserts



**Double Slotted Hole, Plastic**  
89mm,  
Colour: white & black

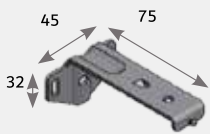
### Stabalising Chain with C Clip



Available in Plastic  
Sizes: 89mm,  
Colour: white or black (plastic)

## BRACKET OPTIONS

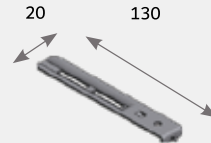
### Shallow frame face fix brackets



89mm  
Mild steel, zinc plated and powder coated  
Colour: white or brown

Dimensions: 45mm (1 1/2") x 32mm (1 1/4") x 75mm (3")

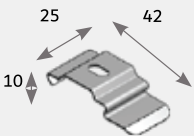
### Extension Top fix brackets



Mild steel, zinc plated and powder coated  
Colour: white

Dimensions: short arm 20mm (3/4") x 130mm (5 1/8") long arm 20mm (3/4") x 165mm (6 1/2")

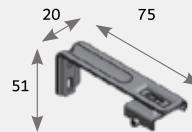
### Top fix brackets



Mild steel, zinc plated and powder coated  
Colour: white, brown or silver

Dimensions: 25mm (1") x 10mm (3/8") x 32mm (1 1/4")

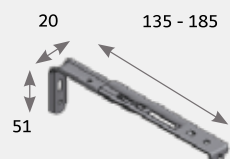
### Side fix brackets



89mm  
Mild steel, zinc plated and powder coated  
Colour: silver

Dimensions: 20mm (3/4") x 51mm (2") x 75mm (3") for 89mm (3 1/2") louvres.  
20mm (3/4") x 51mm (2") x 89mm (3 1/2") for 127mm (5") louvres

### Adjustable face fix brackets

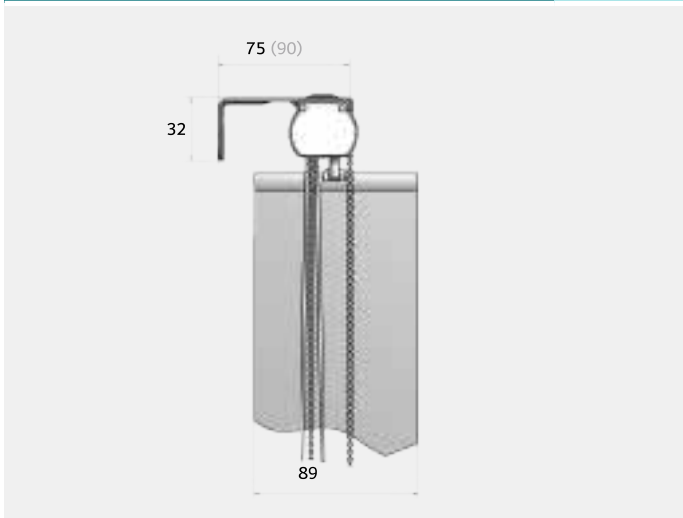


135mm - 185mm  
Mild steel, zinc plated and powder coated  
Colour: white

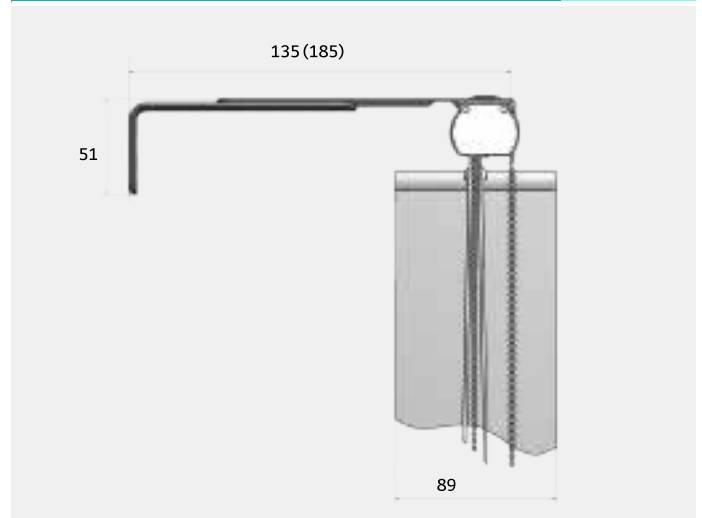
Dimensions: short arm 20mm (3/4") x 51mm (2") x 135 - 185mm (5 1/4" x 7 1/4"),]

# BRACKET OPTIONS

Shallow Frame Face Fix Brackets



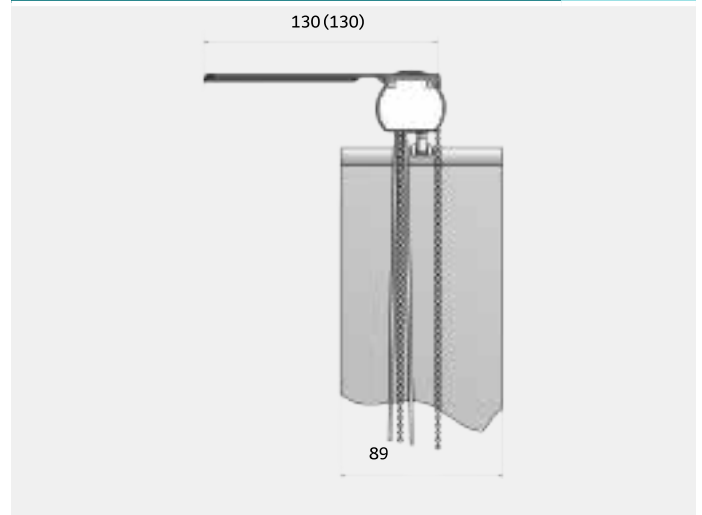
Adjustable Face Fix Brackets



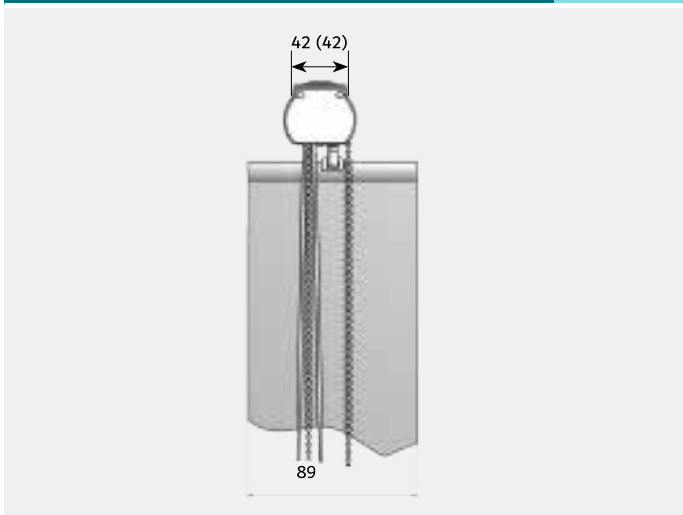
Top Fix Brackets



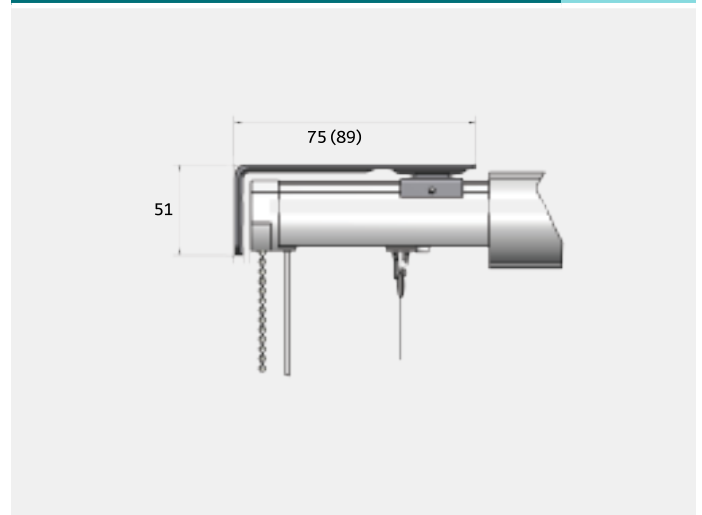
Extension Top Fix Brackets



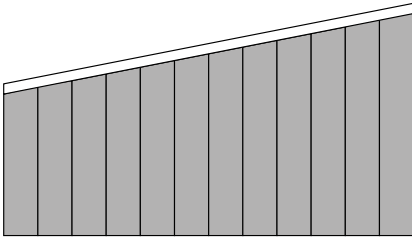
Top Fix Brackets (spring)



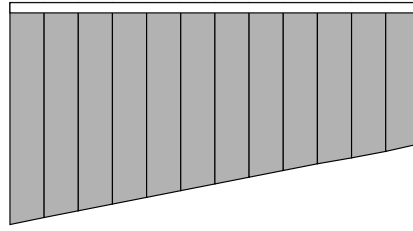
Side Fix Brackets



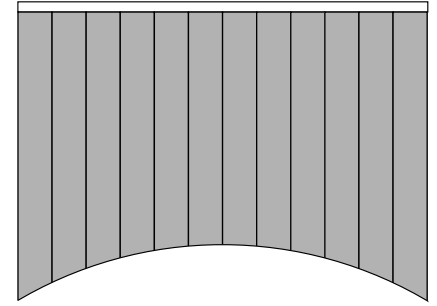
## Shaped Blind Options



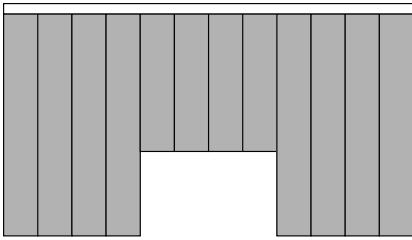
ANGLED TOP



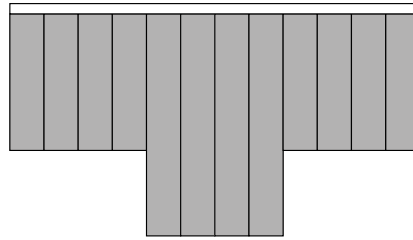
ANGLED BOTTOM



CURVED BOTTOM

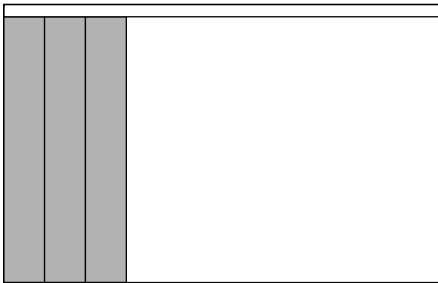


SHAPED

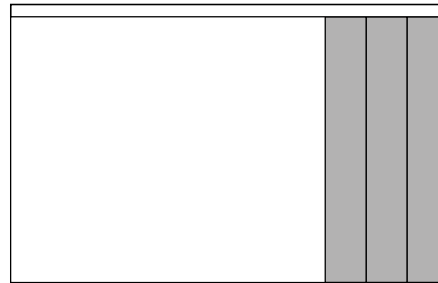


STEPPED BOTTOM EDGE

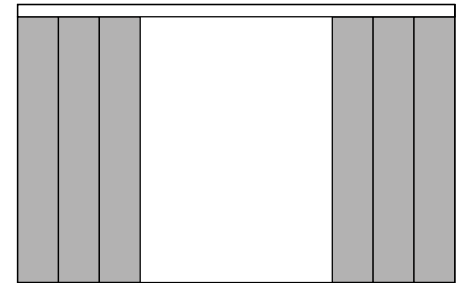
## Bunching Options



LEFT BUNCH



RIGHT BUNCH



SPLIT BUNCH

Bunching	89mm (3 1/2") Louvres
One Way	225mm (8 3/4") for 1st metre (3'3") width of blind. 175mm (7") for each additional metre
Split	225mm (8 3/4") for 1st metre (3'3") width of blind. 175mm (7") for each additional metre
Centre	165mm (6 1/2") for 1st metre (3'3") width of blind. 165mm (6 1/2") for each additional metre

Blindtex **UK**  
4B Wigan Road  
Bolton  
Lancashire  
BL3 5PZ  
**Tel:** 0161 818 9915  
**Email:** sales@blindtex.co.uk  
**Web:** www.blindtex.co.uk

Blindtex **UAE**  
Area M6 - 10  
SAIF Zone Sharjah – United Arab Emirates  
**Tel:** +971 65578051  
**Email:** sales@blindtex.com  
**Web:** www.blindtex.com



A BRAND OF INNOV8 PRODUCTS